

TE 440 3D

for unrebated heavy-duty doors



Product features

- completely concealed hinge system
- for timber, steel or aluminium frames
- for unrebated heavy-duty doors
- sideways closed hinge body for an aesthetically pleasing mortise appearance
- comfortable 3D adjustment (side +/- 3,0 mm, height +/- 3,0 mm, compression +/- 1,0 mm)
- maintenance-free slide bearings

Technical data

Property	Value
Load capacity	100,0 kg
Overall length	160,0 mm
Width (door part)	28,0 mm
Width (frame part)	28,0 mm
Cutter diameter	24,0 mm
Collar ring diameter	30,0 mm
Opening angle	180°

Notes

Quality marks



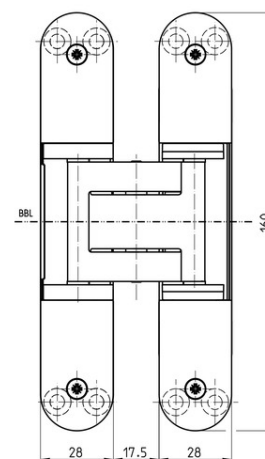
IFT certification

Classification code

4 7 5 0⁻¹ 1 -⁻² 1 12

¹ Test evidence for functional doors to be achieved with full door sets and assemblies.

² depending on the finish



TECTUS - TE 440 3D

The load capacity mentioned above refers to the use of 2 hinges per door leaf (1 x 2 m), for detailed information please look at the chapter [technical information](#).

With an opening position of 180° the door may have to be fixed additionally.

The suitability for fire doors depends on the door construction.

Installation tools

Universal milling frame

Drilling jig TECTUS TE 340 3D

Template 5 250693 5

step 1

Template 5 250694 5

step 2

Combinations

TE 340 3D FZ

TE 340 3D SZ

TE 340 3D ST

Function range



burglar resistance



fire resistance

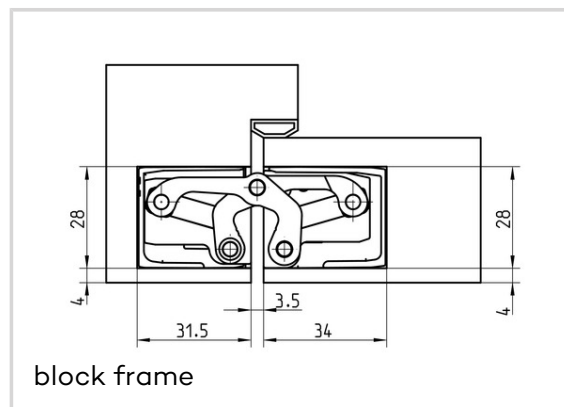


smoke resistance

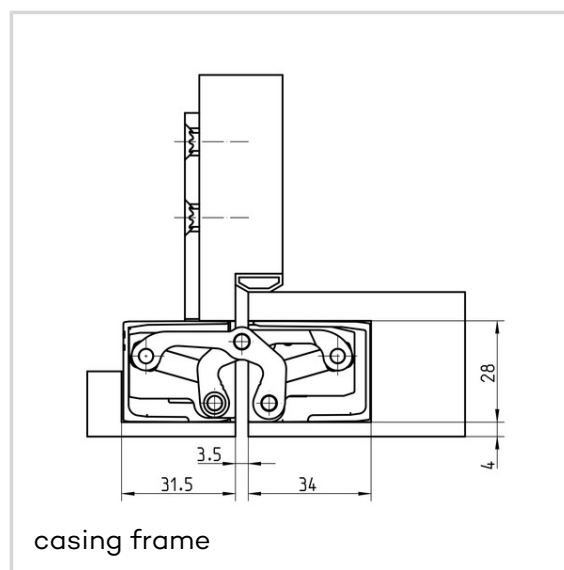
Item versions

Finish	Polished brassed (SW 030)
VPE	pack of 2
DIN	DIN right and left hand
ITEM NO.	5 400747 0 03002
ITEM NO. (SAP)	500004779
EAN	4015471000301

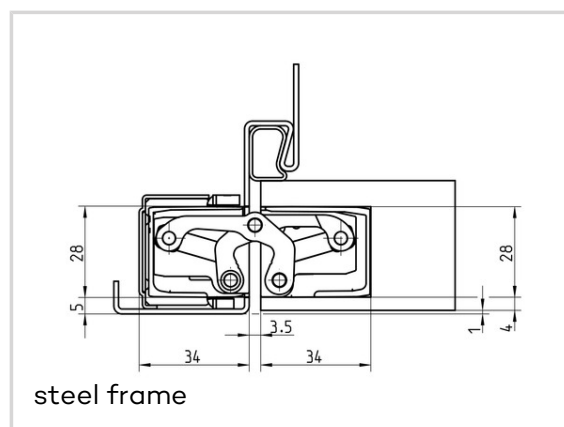
front view



block frame



casing frame



steel frame

TECTUS - TE 440 3D

Finish	Polished nickelled (SW 038)
VPE	pack of 2
DIN	DIN right and left hand
ITEM NO.	5 400747 0 03802
ITEM NO. (SAP)	500004780
EAN	4015471000295

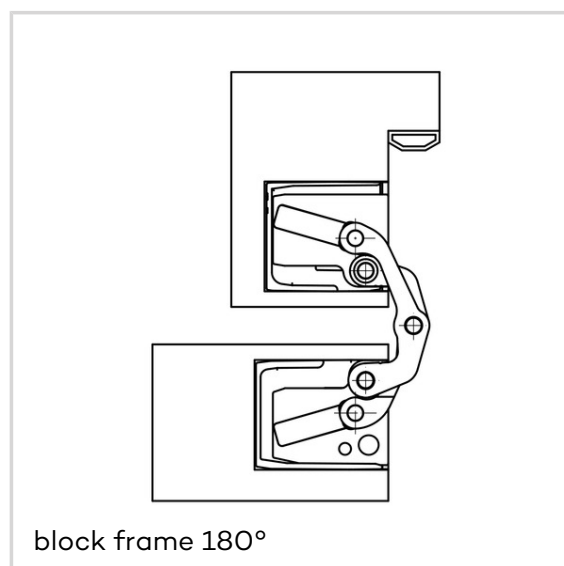
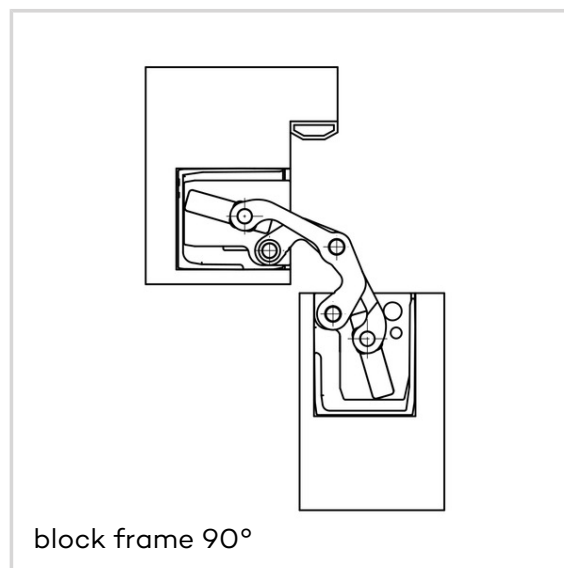
Finish	Satin brassed (SW 047)
VPE	pack of 2
DIN	DIN right and left hand
ITEM NO.	5 400747 0 04702
ITEM NO. (SAP)	500004781
EAN	4015471000288

Finish	RAL 9016 Traffic White (SW 070)
VPE	pack of 2
DIN	DIN right and left hand
ITEM NO.	5 400747 0 07002
ITEM NO. (SAP)	500004782
EAN	4015471149697

Finish	Grey Matte C37 (SW 088)
VPE	pack of 2
DIN	DIN right and left hand
ITEM NO.	5 400747 0 08802
ITEM NO. (SAP)	500004783
EAN	4015471149703

Finish	RAL 9005 Matte Black (SW 107)
VPE	pack of 2
DIN	DIN right and left hand
ITEM NO.	5 400747 0 10702
ITEM NO. (SAP)	500004784
EAN	4015471149710

Finish	Satin Chrome Look (F1) (SW 124)
VPE	pack of 2
DIN	DIN right and left hand
ITEM NO.	5 400747 0 12402



TECTUS - TE 440 3D

ITEM NO. (SAP)	500004771
EAN	4015471149727
Finish	Satin Nickel Look (F2) (SW 125)
VPE	pack of 2
DIN	DIN right and left hand
ITEM NO.	5 400747 0 12502
ITEM NO. (SAP)	500004785
EAN	4015471149734
Finish	Stainless Steel Look (SSL) (SW 126)
VPE	pack of 2
DIN	DIN right and left hand
ITEM NO.	5 400747 0 12602
ITEM NO. (SAP)	500004786
EAN	4015471000271
Finish	Satin Nickel (SW 144)
VPE	pack of 2
DIN	DIN right and left hand
ITEM NO.	5 400747 0 14402
ITEM NO. (SAP)	500004787
EAN	4015471000264
Finish	Satin Chrome (SW 146)
VPE	pack of 2
DIN	DIN right and left hand
ITEM NO.	5 400747 0 14602
ITEM NO. (SAP)	500004788
EAN	4015471000257
Finish	Rustic Umber (SW 156)
VPE	pack of 2
DIN	DIN right and left hand
ITEM NO.	5 400747 0 15602
ITEM NO. (SAP)	500004789
EAN	4015471149741
Finish	Bronze Metallic (SW 168)
VPE	pack of 2
DIN	DIN right and left hand

TECTUS - TE 440 3D

ITEM NO.	5 400747 0 16802
ITEM NO. (SAP)	500004790
EAN	4015471149758
Finish	Bronze Finish (SW 174)
VPE	pack of 2
DIN	DIN right and left hand
ITEM NO.	5 400747 0 17402
ITEM NO. (SAP)	500004791
EAN	4015471000240
Finish	Bronze Finish light (SW 175)
VPE	pack of 2
DIN	DIN right and left hand
ITEM NO.	5 400747 0 17502
ITEM NO. (SAP)	500004792
EAN	4015471000233
Finish	Bronze Finish dark (SW 176)
VPE	pack of 2
DIN	DIN right and left hand
ITEM NO.	5 400747 0 17602
ITEM NO. (SAP)	500004793
EAN	4015471000226