

VARIANT VN - VN 1939/160

VN 1939/160

for rebated heavy-duty doors with block frames and blind frames

**Product features**

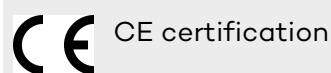
- for rebated heavy-duty doors
- for block and blind frames
- internal torsion-proof pin
- concealed, maintenance-free axial-radial slide bearings

Technical data

| Property | Value |
|----------------------|---------------|
| Load capacity | 160,0 kg |
| Knuckle length | 160,0 mm |
| Knuckle Diameter | 22,5 mm |
| Pin diameter | 10,0 mm |
| Cutter diameter | 24,0 mm |
| Collar ring diameter | 30,0 mm |
| Material thickness | 3,5 mm |
| Screws | 5,0 x 50,0 mm |

Notes

The load capacity mentioned above refers to the use

Quality marks

CE certification



IFT certification

Classification code

| | | | | | | | |
|---|---|---|----------------|---|----------------|---|----|
| 4 | 7 | 7 | 1 ¹ | 1 | - ² | 1 | 14 |
|---|---|---|----------------|---|----------------|---|----|

¹ Test evidence for functional doors to be achieved with full door sets and assemblies.

² depending on the finish

VARIANT VN - VN 1939/160

of 2 hinges per door leaf (1 x 2 m), for detailed information please look at the chapter "technical information".

Also available with security pin (MSTS).

Screws 4,5 x 50,0 mm can be used as an alternative for lowering the depth.

Installation tools

Universal milling frame

Template 5 250560 5

Template 5 250559 6

door leaf

frame

Function range

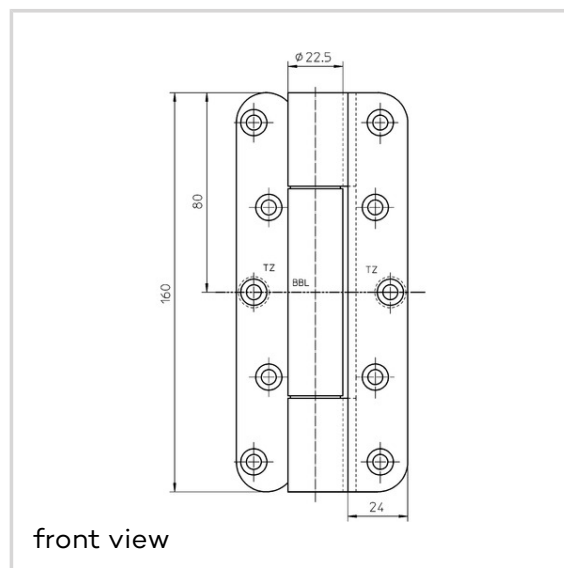
fire resistance



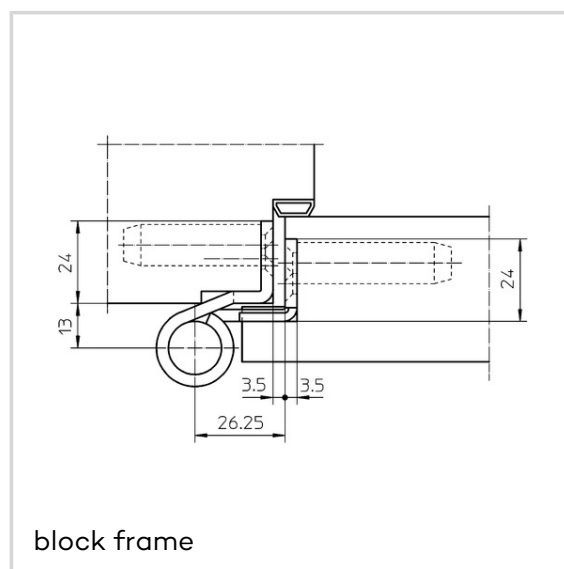
smoke
resistance

Item versions

| | |
|----------------|--------------------------------|
| Finish | satin nickelled F2 (SW 018) |
| VPE | pack of 2 |
| DIN | DIN right and left hand |
| Article number | 5 050501 0 01802 |
| EAN | 4015471021597 |
| Finish | polished brassed (SW 030) |
| VPE | pack of 2 |
| DIN | DIN right and left hand |
| Article number | 5 050501 0 03002 |
| EAN | 4015471006556 |
| Finish | Satin Stainless Steel (SW 040) |
| VPE | pack of 2 |
| DIN | DIN right and left hand |



front view



block frame

VARIANT VN - VN 1939/160

| | |
|----------------|------------------|
| Article number | 5 050501 0 04002 |
| EAN | 4015471006549 |