

## TE 340 3D

for unrebated residential and heavy-duty doors



### Product features

- completely concealed hinge system
- for timber, steel or aluminium frames
- for unrebated residential and heavy-duty doors
- sideways closed hinge body for a homogeneous mortise appearance
- with comfortable 3D adjustment (side +/- 3,0 mm, height +/- 3,0 mm, compression +/- 1,0 mm)
- maintenance-free slide bearings

### Technical data

Property	Value
Load capacity	80,0 kg
Overall length	160,0 mm
Width (door part)	28,0 mm
Width (frame part)	28,0 mm
Cutter diameter	24,0 mm
Collar ring diameter	30,0 mm
Opening angle	180°

### Notes

### Quality marks



CE certification



IFT certification



UL certification

warringtonfire

Warringtonfire certification

### Classification code

3	7	4	1 <sup>1</sup>	1	- <sup>2</sup>	0	11
---	---	---	----------------	---	----------------	---	----

<sup>1</sup> Test evidence for functional doors to be achieved with full door sets and assemblies.

<sup>2</sup> depending on the finish

**TECTUS - TE 340 3D**

The load capacity mentioned above refers to the use of 2 hinges per door leaf (1 x 2 m), for detailed information please look at the chapter "technical information".

With an opening position of 180° the door may have to be fixed additionally.

**Installation tools**

Universal milling frame

Drilling jig TECTUS TE 340 3D

Template 5 250693 5

step 1

Template 5 250694 5

step 2

**Combinations**

TE 340 3D FZ

TE 340 3D SZ

TE 340 3D ST

**Function range**



burglar resistance



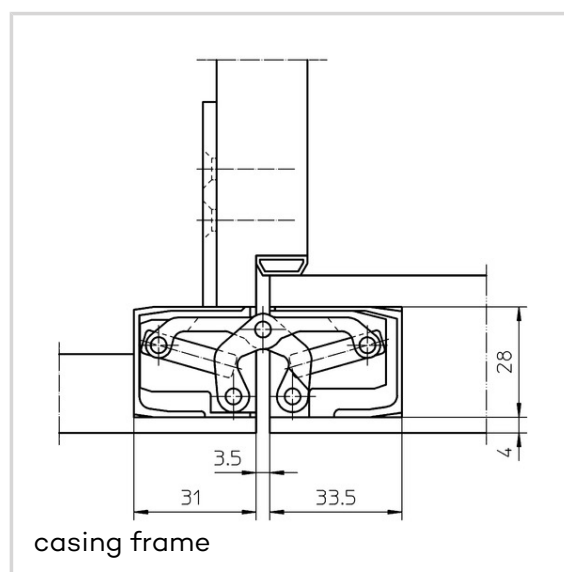
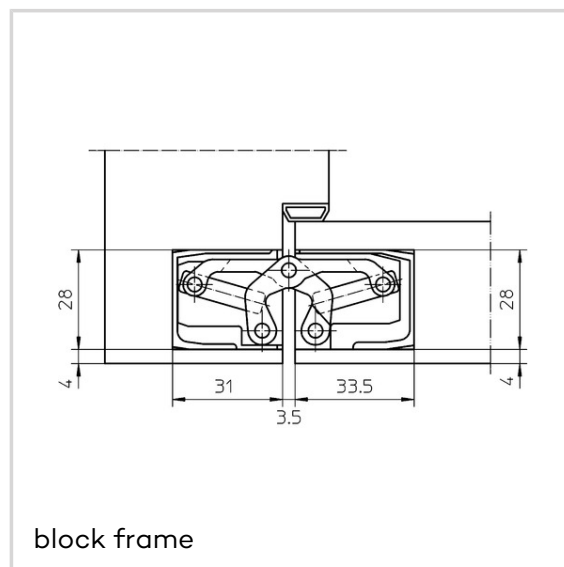
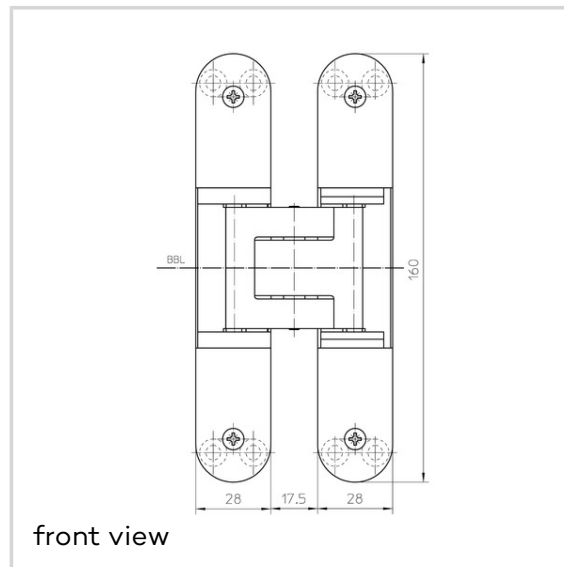
fire resistance



smoke resistance

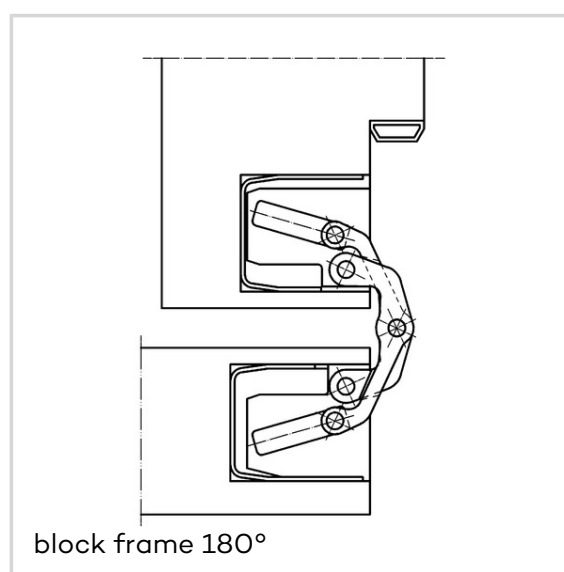
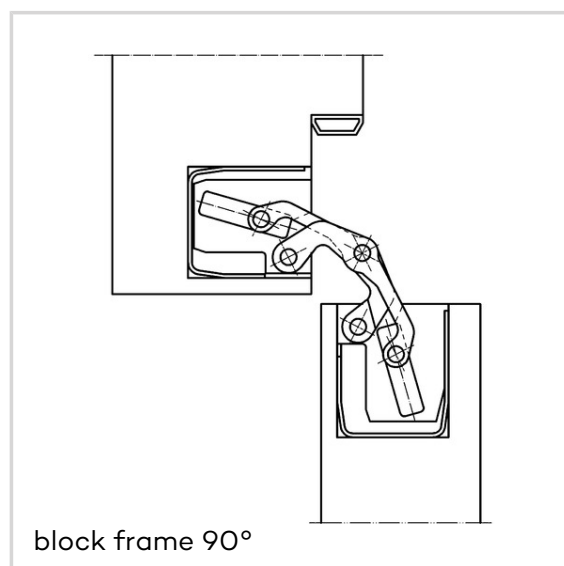
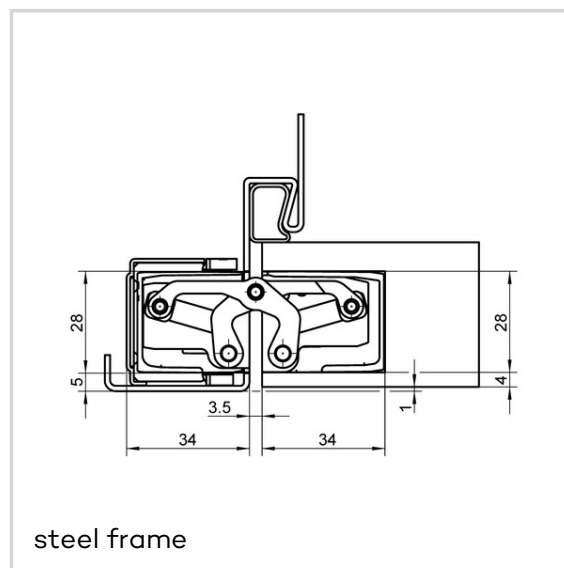
**Item versions**

Finish	polished brassed (SW 030)
VPE	pack of 2
DIN	DIN right and left hand
Article number	5 400605 0 03002
EAN	4015471106553
Finish	polished nickelled (SW 038)
VPE	pack of 2



## TECTUS - TE 340 3D

DIN	DIN right and left hand
Article number	5 400605 0 03802
EAN	4015471106577
Finish	satin brassed (SW 047)
VPE	pack of 2
DIN	DIN right and left hand
Article number	5 400605 0 04702
EAN	4015471127183
Finish	RAL 9016 Traffic White (SW 070)
VPE	pack of 2
DIN	DIN right and left hand
Article number	5 400605 0 07002
EAN	4015471106584
Finish	Grey Matte C37 (SW 088)
VPE	pack of 2
DIN	DIN right and left hand
Article number	5 400605 0 08802
EAN	4015471141301
Finish	RAL 9005 Matte Black (SW 107)
VPE	pack of 2
DIN	DIN right and left hand
Article number	5 400605 0 10702
EAN	4015471106607
Finish	Satin Chrome Look (F1) (SW 124)
VPE	pack of 2
DIN	DIN right and left hand
Article number	5 400605 0 12402
EAN	4015471106614
Finish	Satin Nickel Look (F2) (SW 125)
VPE	pack of 2
DIN	DIN right and left hand
Article number	5 400605 0 12502
EAN	4015471106638



## TECTUS - TE 340 3D

Finish	Stainless Steel Look (SSL) (SW 126)
VPE	pack of 2
DIN	DIN right and left hand
Article number	5 400605 0 12602
EAN	4015471106652
Finish	Satin Nickel (SW 144)
VPE	pack of 2
DIN	DIN right and left hand
Article number	5 400605 0 14402
EAN	4015471106669
Finish	Satin Chrome (SW 146)
VPE	pack of 2
DIN	DIN right and left hand
Article number	5 400605 0 14602
EAN	4015471109592
Finish	Rustic Umber (SW 156)
VPE	pack of 2
DIN	DIN right and left hand
Article number	5 400605 0 15602
EAN	4015471106676
Finish	Bronze Metallic (SW 168)
VPE	pack of 2
DIN	DIN right and left hand
Article number	5 400605 0 16802
EAN	4015471106683
Finish	Bronze Finish (SW 174)
VPE	pack of 2
DIN	DIN right and left hand
Article number	5 400605 0 17402
EAN	4015471114190
Finish	Bronze Finish light (SW 175)
VPE	pack of 2
DIN	DIN right and left hand
Article number	5 400605 0 17502
EAN	4015471114206

**TECTUS - TE 340 3D**

---

Finish	Bronze Finish dark (SW 176)
VPE	pack of 2
DIN	DIN right and left hand
Article number	5 400605 0 17602
EAN	4015471114213