

TE 240 3D

for unrebated and rebated flush residential doors



Product features

- completely concealed hinge system
- for timber, steel or aluminium frames
- for unrebated and rebated flush residential doors
- sideways closed hinge body for a homogeneous mortise appearance
- 3D adjustment (side +/- 3,0 mm, height +/- 3,0 mm, compression +/- 1,0 mm)
- maintenance-free slide bearings

Technical data

Property	Value
Load capacity	60,0 kg
Overall length	155,0 mm
Width (door part)	18,0 mm
Width (frame part)	21,0 mm
Cutter diameter	16,0 mm
Collar ring diameter	30,0 mm
Opening angle	180°

Notes

Quality marks



CE certification



IFT certification

Classification code

3	7	3	1 ¹	1	- ²	0	10
---	---	---	----------------	---	----------------	---	----

¹ Test evidence for functional doors to be achieved with full door sets and assemblies.

² depending on the finish

TECTUS - TE 240 3D

The load capacity mentioned above refers to the use of 2 hinges per door leaf (1 x 2 m), for detailed information please look at the chapter "technical information".

With an opening position of 180° the door may have to be fixed additionally.

Installation tools

Universal milling frame

Template 5 250691 6

Template 5 250692 6

frame
door leaf

Combinations

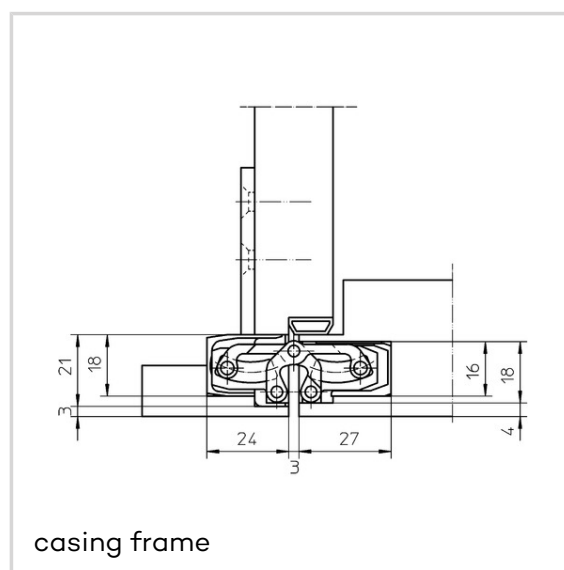
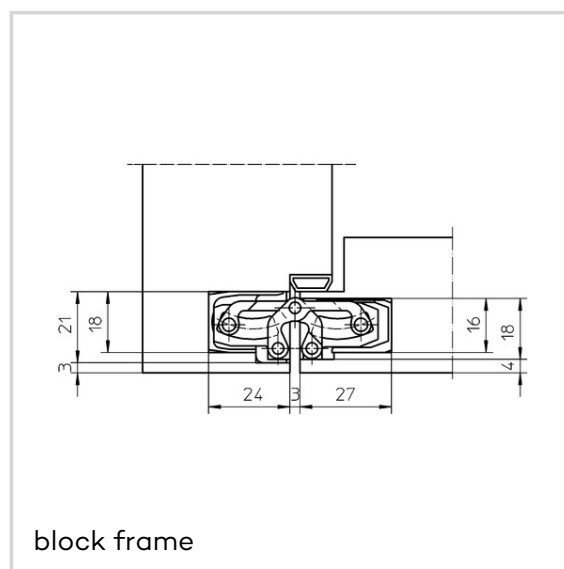
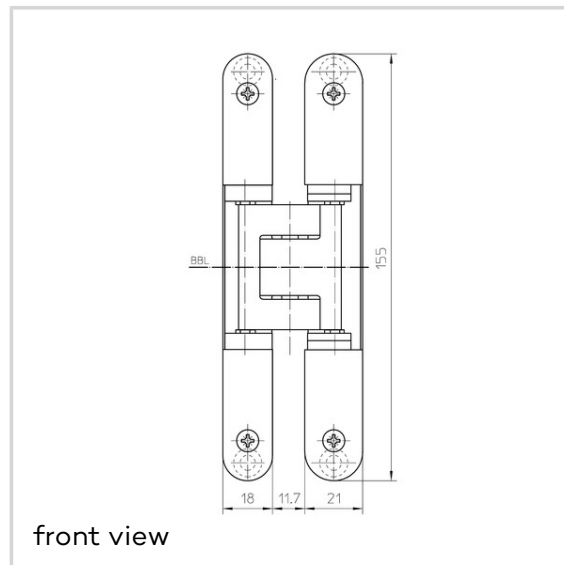
TE 240 3D FZ

TE 240 3D SZ

TE 240 3D ST

Item versions

Finish	polished brassed (SW 030)
VPE	pack of 2
DIN	DIN right and left hand
Article number	5 400679 0 03002
EAN	4015471122980
Finish	polished nickelled (SW 038)
VPE	pack of 2
DIN	DIN right and left hand
Article number	5 400679 0 03802
EAN	4015471122997
Finish	satin brassed (SW 047)
VPE	pack of 2
DIN	DIN right and left hand
Article number	5 400679 0 04702
EAN	4015471127268



TECTUS - TE 240 3D

Finish	RAL 9016 Traffic White (SW 070)
VPE	pack of 2
DIN	DIN right and left hand
Article number	5 400679 0 07002
EAN	4015471123734

Finish	RAL 9005 Matte Black (SW 107)
VPE	pack of 2
DIN	DIN right and left hand
Article number	5 400679 0 10702
EAN	4015471123741

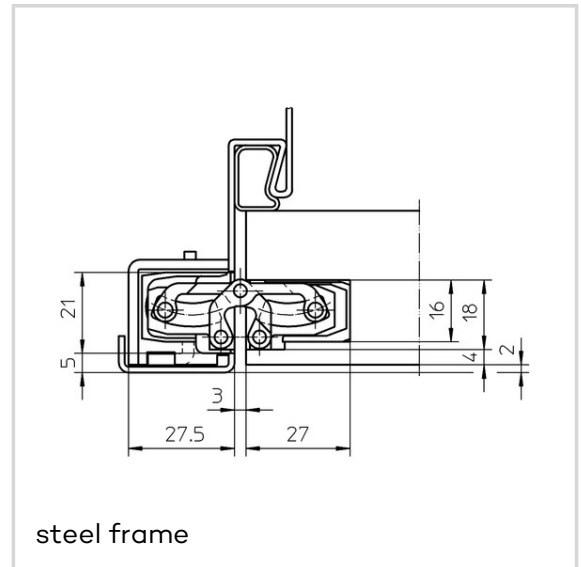
Finish	Satin Chrome Look (F1) (SW 124)
VPE	pack of 2
DIN	DIN right and left hand
Article number	5 400679 0 12402
EAN	4015471122973

Finish	Satin Nickel Look (F2) (SW 125)
VPE	pack of 2
DIN	DIN right and left hand
Article number	5 400679 0 12502
EAN	4015471123017

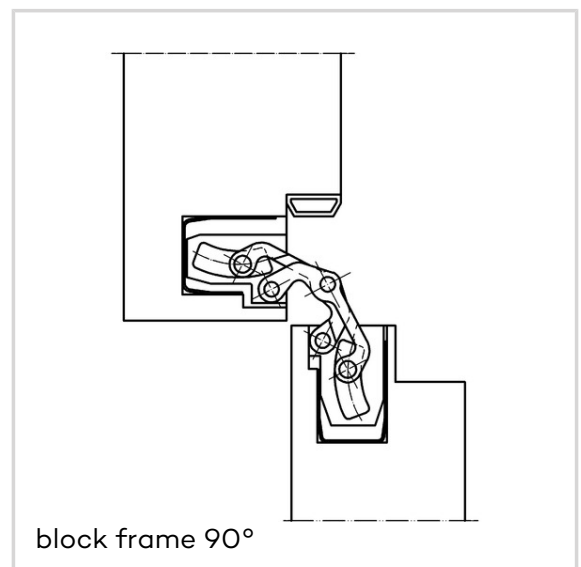
Finish	Stainless Steel Look (SSL) (SW 126)
VPE	pack of 2
DIN	DIN right and left hand
Article number	5 400679 0 12602
EAN	4015471123024

Finish	Satin Nickel (SW 144)
VPE	pack of 2
DIN	DIN right and left hand
Article number	5 400679 0 14402
EAN	4015471123772

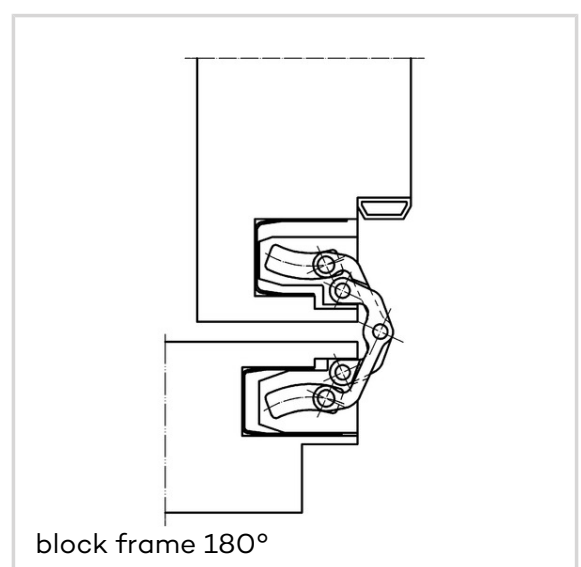
Finish	Satin Chrome (SW 146)
VPE	pack of 2
DIN	DIN right and left hand
Article number	5 400679 0 14602



steel frame



block frame 90°



block frame 180°

TECTUS - TE 240 3D

EAN	4015471123789
Finish	Rustic Umber (SW 156)
VPE	pack of 2
DIN	DIN right and left hand
Article number	5 400679 0 15602
EAN	4015471123758
Finish	Bronze Metallic (SW 168)
VPE	pack of 2
DIN	DIN right and left hand
Article number	5 400679 0 16802
EAN	4015471123765
Finish	Bronze Finish (SW 174)
VPE	pack of 2
DIN	DIN right and left hand
Article number	5 400679 0 17402
EAN	4015471123031
Finish	Bronze Finish light (SW 175)
VPE	pack of 2
DIN	DIN right and left hand
Article number	5 400679 0 17502
EAN	4015471123048
Finish	Bronze Finish dark (SW 176)
VPE	pack of 2
DIN	DIN right and left hand
Article number	5 400679 0 17602
EAN	4015471123055