

TEG 310 2D 60

for flush glass doors made of ESG 8-10 mm

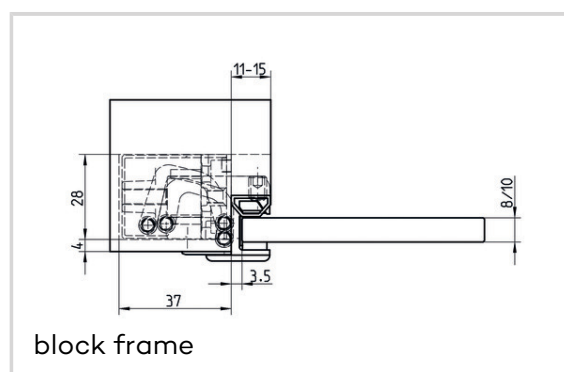
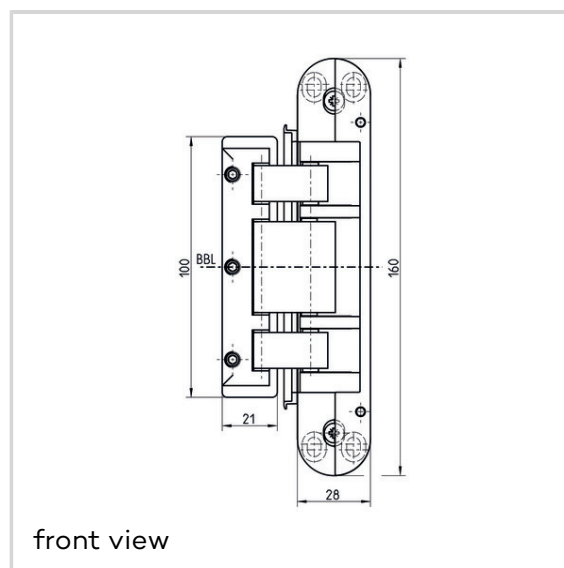


Product features

- for flush glass doors
- for ESG glass thicknesses 8-10 mm
- tested for interior rooms up to 50°C ambient temperature
- without drilling the door leaf
- for timber, steel or aluminium frames
- continuous side adjustment (+ 3,0/- 2,0 mm)
- continuous height adjustment with additional fine tune adjustment (+/- 1,0 mm)
- maintenance-free slide bearings
- rebate width 11-15 mm

Technical data

Property	Value
Load capacity	60,0 kg
Overall length	160,0 mm
Width (frame part)	28,0 mm
Cutter diameter	24,0 mm
Collar ring diameter	30,0 mm
Opening angle	180°



TECTUS - TEG 310 2D 60**Notes**

The load capacity mentioned above refers to the use of 2 hinges per door leaf (1 x 2 m), for detailed information please look at the chapter "technical information".

With an opening position of 180° the door may have to be fixed additionally.

Installation tools

Universal milling frame

Template 5 251145 5

step 1

Template 5 251146 5

step 2

Template 5 251147 5

step 3

Combinations

TE 340 3D FZ

TEG 310 2D SZ

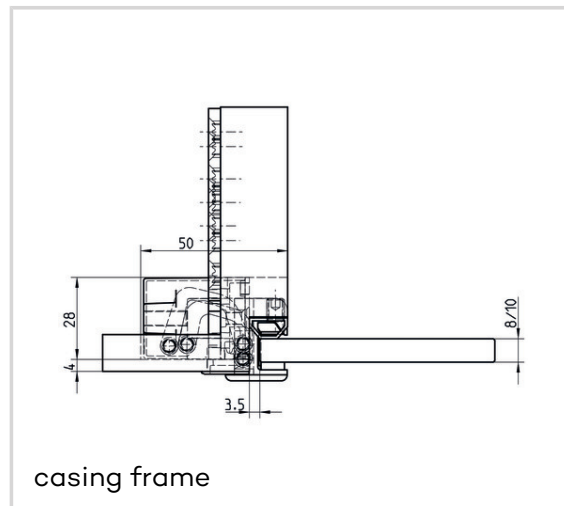
Gasket TEG 10

Interlayer set TEG 310 2D

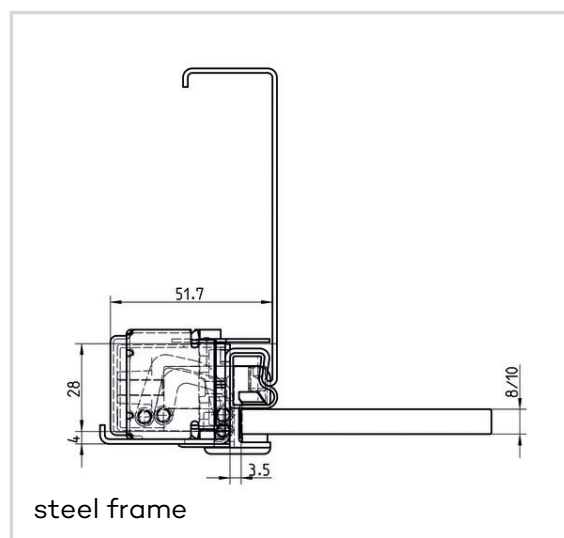
Cleaning cloth

Item versions

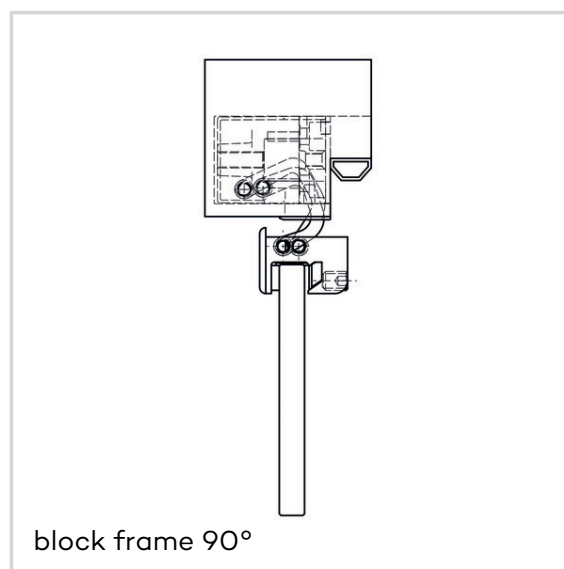
Finish	Satin Stainless Steel (SW 040)
VPE	pack of 2
DIN	DIN right and left hand
Article number	5 400720 0 04002
EAN	4015471131388
Finish	RAL 9016 Matte Traffic White (SW 057)
VPE	pack of 2
DIN	DIN right and left hand
Article number	5 400720 0 05702
EAN	4015471130688
Finish	RAL 9005 Matte Black



casing frame



steel frame



block frame 90°

TECTUS - TEG 310 2D 60

VPE	(SW 107)
DIN	pack of 2
Article number	DIN right and left hand
EAN	5 400720 0 10702
	4015471134372
Finish	Satin Chrome Look (F1) (SW 124)
VPE	pack of 2
DIN	DIN right and left hand
Article number	5 400720 0 12402
EAN	4015471134334
Finish	Matte Pure Grey/NCS S 8000-N (SW 301)
VPE	pack of 2
DIN	DIN right and left hand
Article number	5 400720 0 30102
EAN	4015471130770

