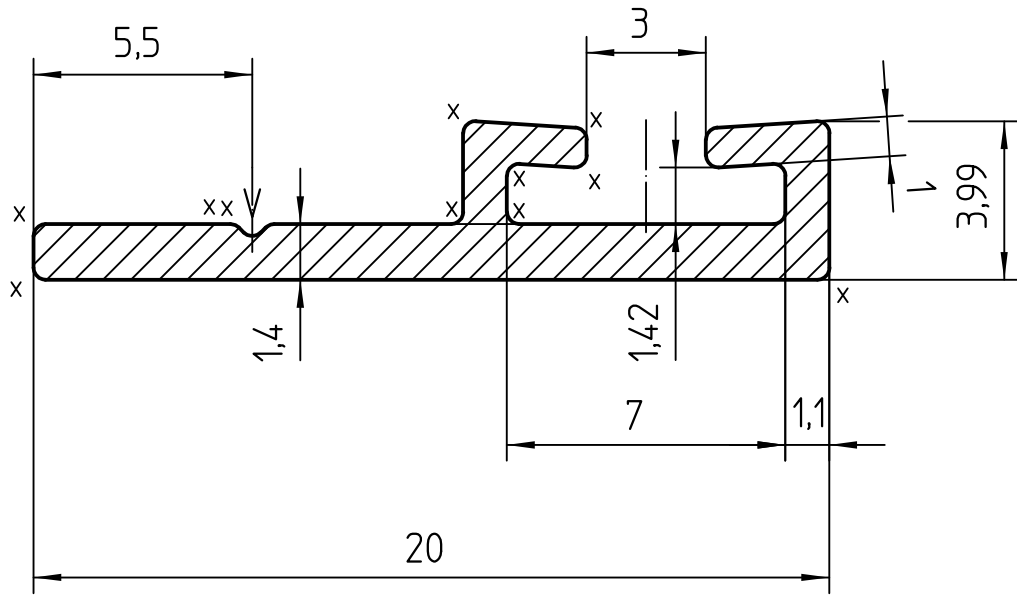


All rights are reserved. Reproduction or issue to third parties in any form is not permitted without written authorization from Hydro Extrusion Sweden AB. Copyright © Hydro Extrusion Sweden AB 2018.

| | | | | | |
|---|----|-------------------------------------|---|---|----------|
| Kund / Customer Raitatuote Oy | | Kundnr / Customer no. 889 | | Profil nr. / Extrusion No. 384416 | |
| Användningsområde / End use Tätning | | | Kunds rit.nr/Cust.Drwg.no. 102380 | | A |
| Ver | No | Ändringens art / Change | Sign. | Datum / Date | |
| 01 | | Omkonstruerad. | TF | 2023-04-14 | |



| | |
|--|----------------------------|
| Generella toleranser enl. / Unspecified tol.: EN 755-9 | |
| CD 25 | Legeringsgrupp I |
| Ritning godkänd / Drawing approved | |
| Datum/Date _____ Namn/Name _____ | |
| Företag/Company _____ | |
| <input type="checkbox"/> Ritn. ändr. ny för godk./Drwg. modi. new for approval | |

Ej måttsatt gods / Unspecified wall thickness:

Ej måttsatt radie / Unspecified radius:
 x= **0,3** ... o= z=
 y= n= w=

f= full radie / full radius

K= Konstruktionsmått/Construc.dimension

Synlig yta/Visible surface _____

Mindre synlig yta/Less visib. surf. _____

Rilla / Groove = **V 0,3x90°**

| | |
|--------------------------|-----------------------------------|
| Theor.area 37 | Skala / Scale 5:1 |
| Theor.kg/m 0.1 | Datum / Date 2023-04-11 |
| Perimeter 59 | Rit. av/Drawn by TF |
| Yta/Surface 6 | Legering/Alloy 6060F22 |
| Ver. 01 | Status approved |

