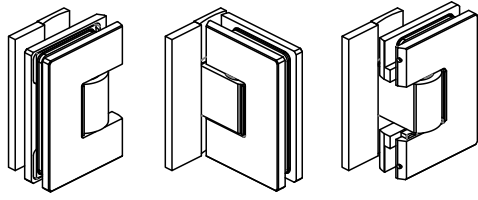
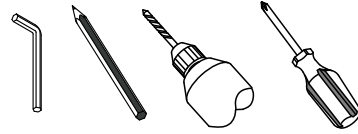


# BOX DOCCIA

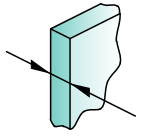
8501N



Tools required

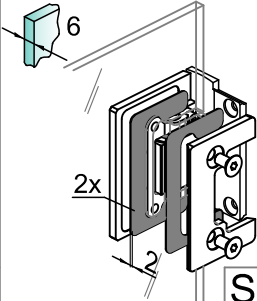


Fittings required

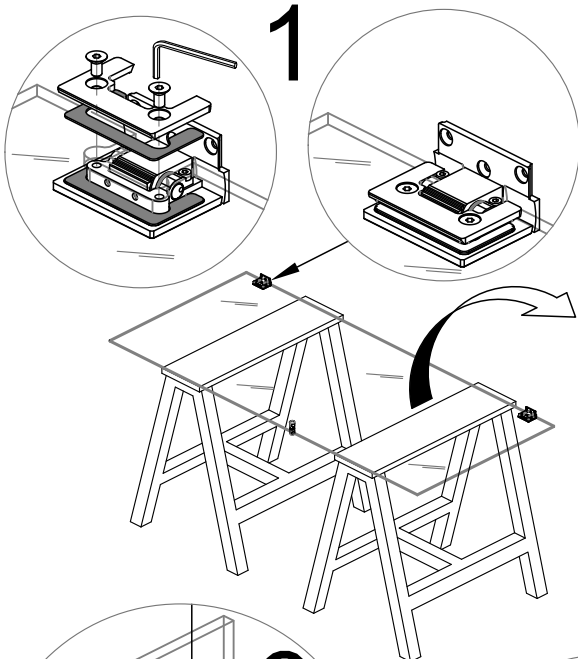
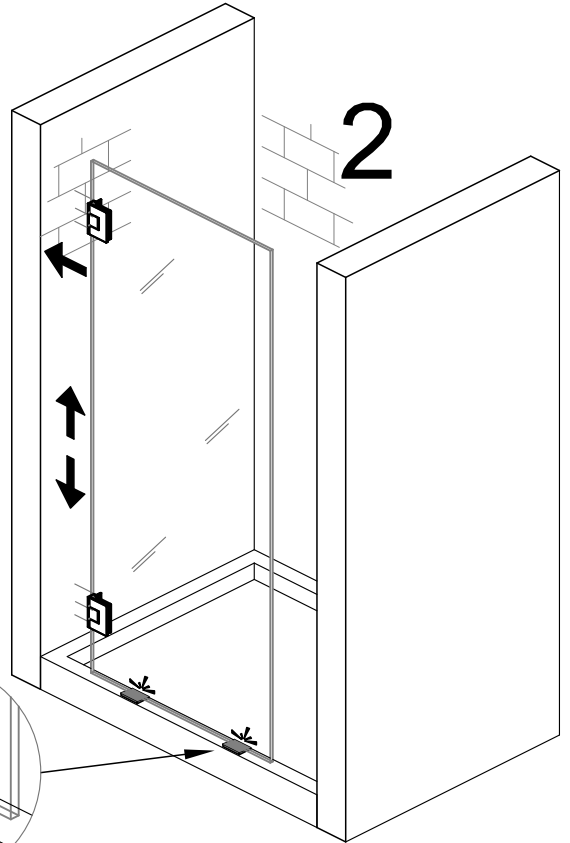
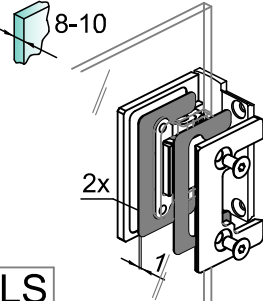


6-8-10

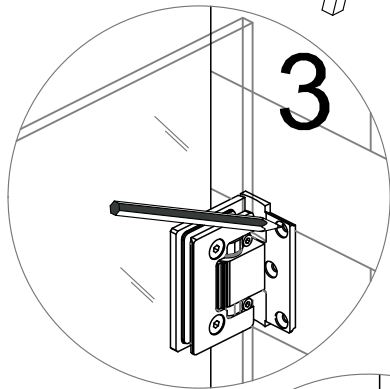
GLASS



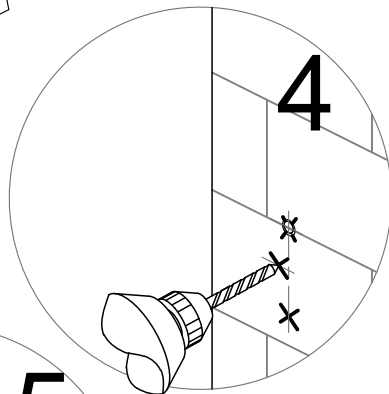
SEALS



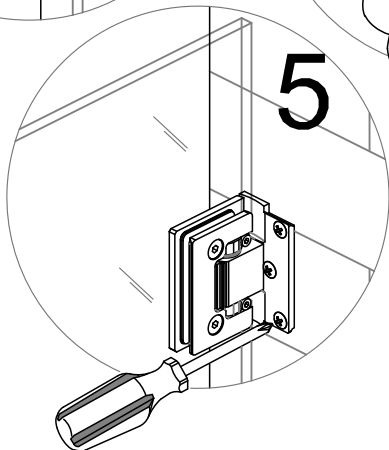
1



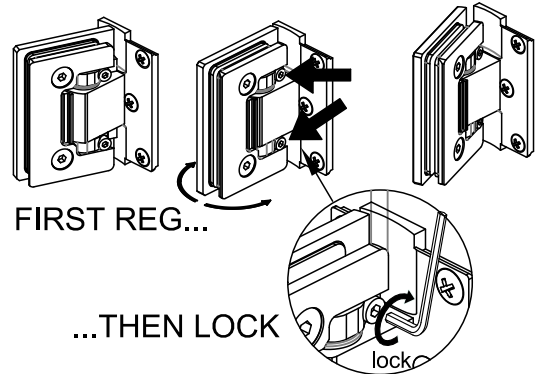
3



4



5



FIRST REG...

...THEN LOCK

lock

COVERS

