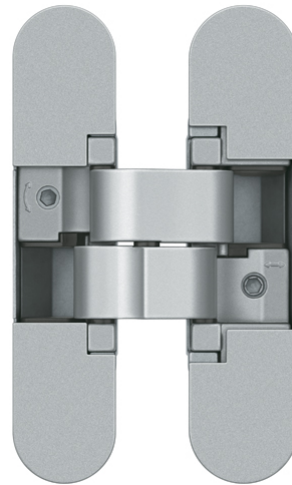


AN 161 3D FVZ 12/38

for unrebated 38 mm thick residential doors
with 12 mm recessed frame facings up to 60 kg

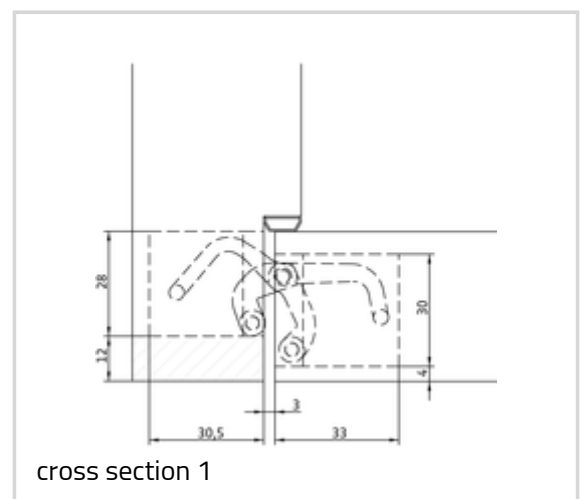
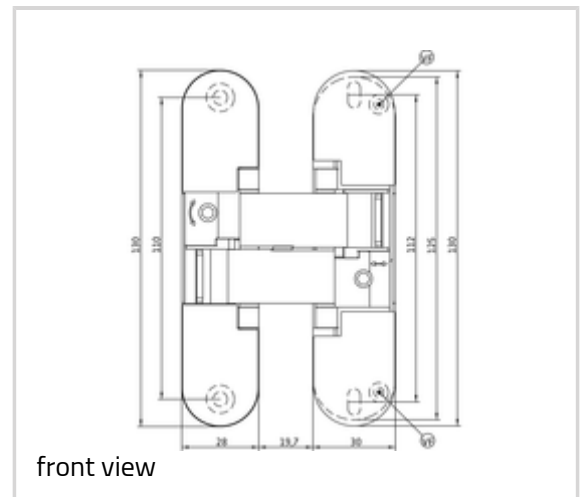


Product features

- FVZ = recessed frame facings
- recessed frame facings up to 12,0 mm
- door thickness 38 mm
- completely concealed hinge system
- for timber frames
- for unrebated residential doors
- 3D adjustable (side +/- 1,5 mm, height +/- 2,5 mm, compression +/- 1,0 mm)
- central installation
- material zamak

Technical details

Attributes	Value
Load capacity	60,0 kg
Overall length	130,0 mm
Width (door part)	30,0 mm
Width (frame part)	28,0 mm
Cutter diameter	14,0 or 16,0 mm
Collar ring diameter	25,0 or 27,0 mm
Opening angle	180°



Anselmi - AN 161 3D FVZ 12/38

Note

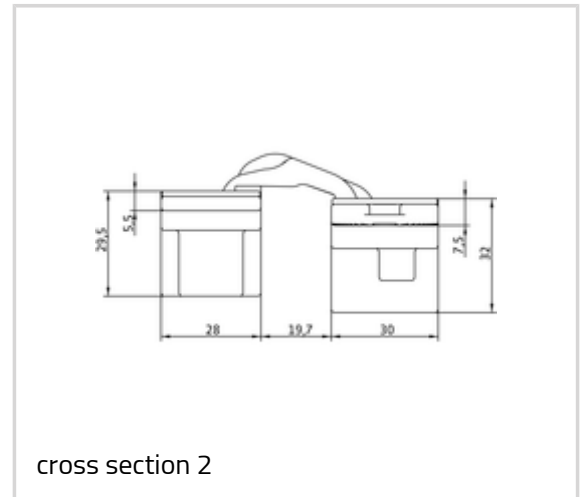
The load capacity mentioned above refers to the use of 2 hinges per door leaf (900 x 2100 mm).

Suggested screws:

Frame side: Countersunk head screw DIN 7505 A, Diameter 5,0 mm

Door side: Pan head screw DIN 7505 B, Diameter 4,0 mm

If necessary, it is possible to lock the vertical adjustment of the hinge by means of a vertical adjustment fixing screw (VF).



Item

Finish(es)	AN 014-Satin Chrome
OF-NR.	014
VPE	pack of 2
DIN	DIN right and left hand
EAN	8054608703360
Finish(es)	AN 017-Coated Bronze
OF-NR.	017
VPE	pack of 2
DIN	DIN right and left hand
EAN	8054608703377
Finish(es)	AN 018-Black
OF-NR.	018
VPE	pack of 2
DIN	DIN right and left hand
EAN	8054608703384
Finish(es)	AN 035-Antique Bronze
OF-NR.	035
VPE	pack of 2
DIN	DIN right and left hand
EAN	8054608703568
Finish(es)	AN 036-Aluminium Chrome
OF-NR.	036
VPE	pack of 2

Anselmi - AN 161 3D FVZ 12/38

DIN	DIN right and left hand
EAN	8054608703414
Finish(es)	AN 037-Polished Brass
OF-NR.	037
VPE	pack of 2
DIN	DIN right and left hand
EAN	8054608703421
Finish(es)	AN 039-Polished Chrome
OF-NR.	039
VPE	pack of 2
DIN	DIN right and left hand
EAN	8054608703438
Finish(es)	AN 044-Satin Nickel
OF-NR.	044
VPE	pack of 2
DIN	DIN right and left hand
EAN	8054608703391
Finish(es)	AN 049-RAL 9016 Traffic White
OF-NR.	049
VPE	pack of 2
DIN	DIN right and left hand
EAN	8054608703407