

STRAIGHT SLIDING MAJESTIC 270

E A C H D O O R W E I G H T M A X 2 7 0 k g

APPLICATION

- ▶ Majestic high quality bottom roller gear and fittings are ideally suited to high class joinery installations.
- ▶ Designed for heavy straight sliding partitions especially fully glazed patio or showroom doors. Also suitable for flush or panelled doors.
- ▶ The bottom roller design is suited to applications where the supporting structure or lintel is insufficient for the weight of the door, or where headroom is limited.
- ▶ To cover width of opening, any number of doors can be used on single or double track.
- ▶ To accommodate different building designs, doors can slide to one or both sides.

DOOR SPECIFICATION

For individual doors:

Max Door Height	3300mm
Max Door Weight	270 kg
Door Thickness	44 - 57mm

Doors must be constructed with bottom sections of at least 175mm depth to accommodate the concealed, mortised, bottom rollers.

Door weight is carried on the floor permitting the use of a light overhead structure.

GEAR SPECIFICATION

Top Guide Channel 900 galvanised steel with safety lip
Standard lengths: 2000mm, 2500mm and 3000mm

Top Guide Brackets:-

For single track (face fixing)	1/900	pressed steel zinc plated
For single track (soffit fixed)	3/900	pressed steel zinc plated
For double track (face fixing)	5/900	pressed steel zinc plated

Fix at 900mm centres (maximum).

Top Guide Rollers (2 per door): 203/900

Top Guide Rollers have concealed edge fixing and double adjustable anti-rattle rollers.

Bottom Rollers (2 per door): 916

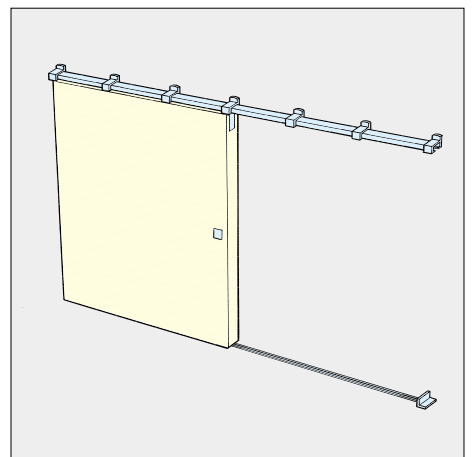
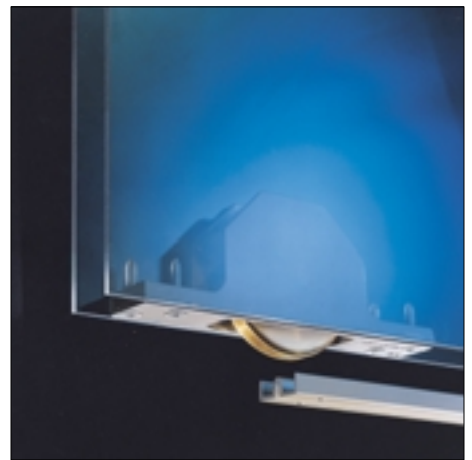
916 has brass roller with maintenance free roller bearing.

Bottom Rail: 917 brass
817 brass recessed

917 and 817 available in 1500mm and 3000mm lengths.

917 is drilled and countersunk for wood or lugging into concrete.

Accessories: Flush Pulls, Flush Bolts and Locks.



Standard Application

STRAIGHT SLIDING MAJESTIC 270

